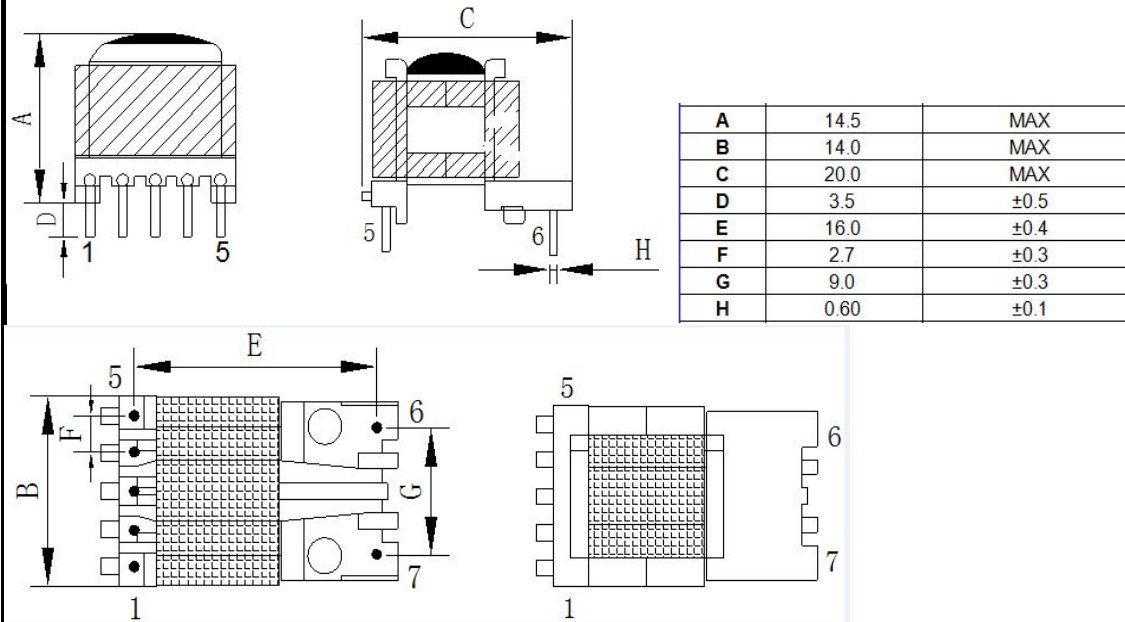
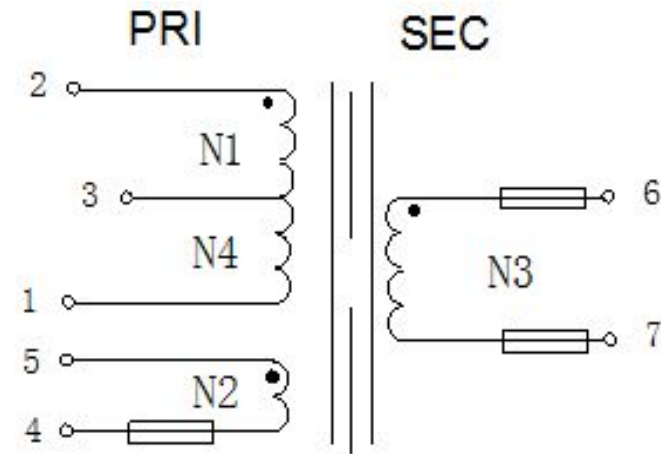


CUSTOMER TERMINAL	ROHS	Lead(Pb)-free
	YES	YES

## 1.Mechanical Dimensions



## 2.Schematic Diagram



## 3.Material List

Core:FW40 EE13  
 Bobbin:FWB1413(4+5PIN)  
 Wire:2UEW TIW  
 Operating Temperature: -30 to115 °C

## 4.Electrical Specification

Inductance:L(1-2):3.0mH±5% 100KHZ , 1V  
 Leakage Inductance : 60uH MAX 100KHZ , 1V  
 DCR:(1-2)=9.5Ω Max  
 Hi-Pot:P-S: AC 60Hz 4000V 2.0mA 3S  
 N1-N2-N4:AC 60Hz 500V 2.0mA 3S

REV.	DATE	 Convention Placement	DRW.	Drawing Title:	Part No:		
0	00/00		CHK.			<b>TRANSFORMER</b>	FWPTEE13H302J
			APP.			Customer P/N	Specification Sheet 1of 1

**ROHS**

[www.ferriwo.com](http://www.ferriwo.com)